

Pre-Installation Measuring Guide

Door Awning : PN Series

DETERMINE THE DOOR AWNING LOCATION

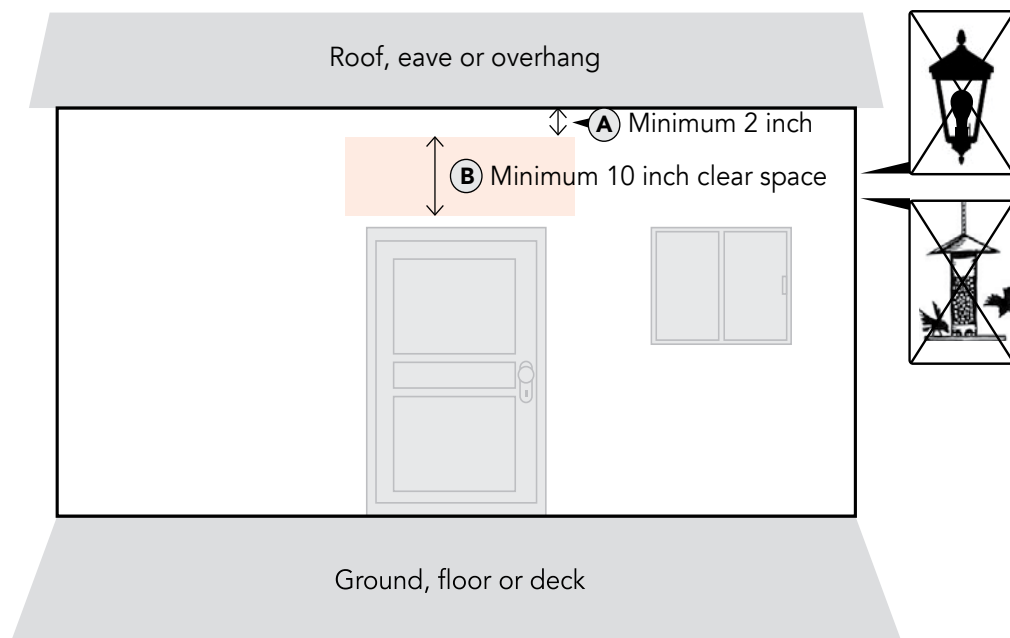


The Door Awning needs to be mounted to the main structural supports of the building.

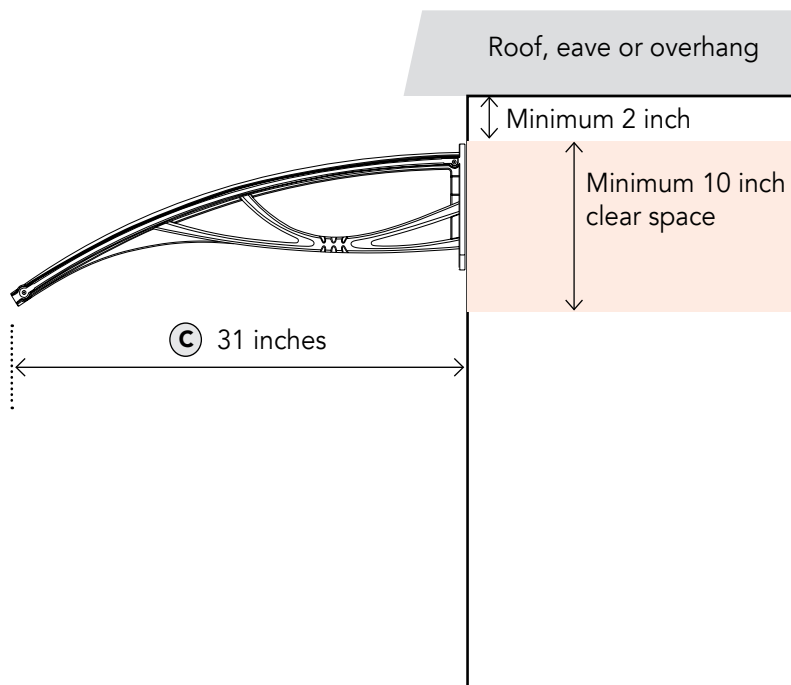
The surface of the area should be clear of any obstructions along the entirety of the Door Awning.

Locate a position that is:

- Ⓐ Minimum 2 inch of clearance below the roof/eave/overhang.
- Ⓑ At least 10 inch of vertical clear space.
- Ⓒ Minimum depth of 31 inches.



Side view

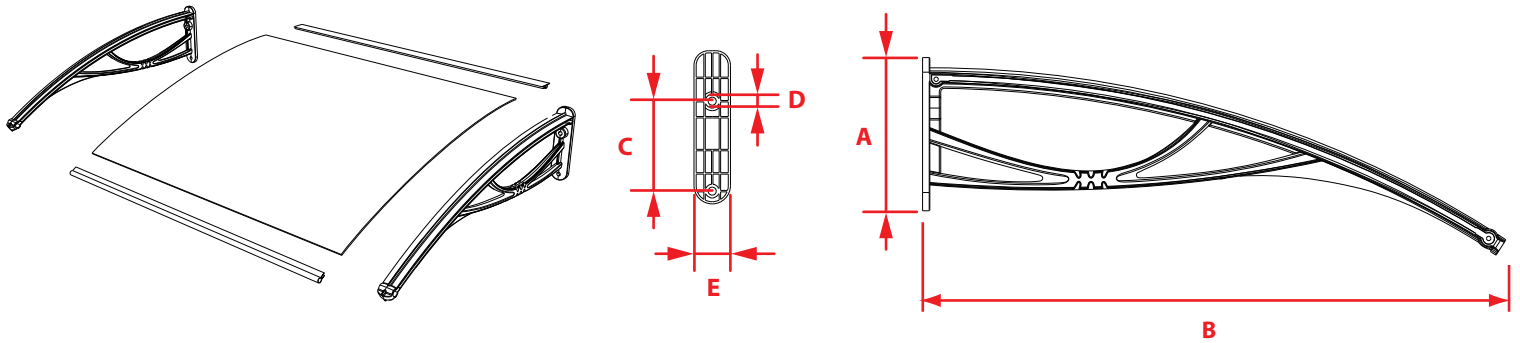


Door Awning Dimensions Table

Style	Size	Unit	Assembled Product (DxWxH)	A	B	C	D	E	F
				Bracket (Height)	Bracket (Depth)	Bracket Holes Distance	Bracket Holes Diameter	Bracket Width	Bracket Width
PN Series	DA5531-PBS1N	mm	800x1400x210	210	800	123	11	50	-
		inch	31x55x8.3	8.3	31.5	4.8	0.43	2	-
	DA5531-PWS1N	mm	800x1400x210	210	800	123	11	50	-
		inch	31x55x8.3	8.3	31.5	4.8	0.43	2	-
PA Series	DA5935-PSS1A	mm	900x1500x140	135	865	105	11	40	952
		inch	35x59x5.5	5.3	34.1	4.1	0.43	1.6	37.5

The listed measurements are for general reference only. Please always consult a professional installer for advice on proper hardware and installation.
Note: Data Error ±10~20%.

PN Series



PA Series

